

**Idaho High School Activities Association**

# **2006 State Volleyball**



## **Tournament Manual**

**United Dairymen of Idaho  
Official Sponsor of  
IHSAA State Championship Events**

## 2006-2007 State Tournament Host Hotels

The following hotels have agreed to serve as the 2006-2007 State Tournament Host Hotels by providing complimentary rooms for tournament officials. We appreciate their generous support and urge all IHSAA member schools to patronize these Partners in Youth Development.

### EAST BOISE

HOLIDAY INN	3300 Vista Ave.	208-344-8365
DOUBLETREE CLUB HOTEL	475 W. Park Center Blvd.	208-345-2002
SPRINGHILL SUITES P	424 E. Park Center Blvd.	208-342-1044
HAMPTON INN	3370 S. Shoshone	208-331-5600

### WEST BOISE / NAMPA

SPRINGHILL SUITES	6325 N. Cloverdale Rd., Boise	208-939-8266
SHILO INNS & RESORTS		
Nampa Suites	1401 Shilo Dr., Nampa	208-465-3250
Nampa Blvd	617 Nampa Blvd., Nampa	208-466-8993
Boise Airport	4111 Broadway Ave., Boise	208-343-7662
Boise Riverside	3031 Main St., Boise	208-344-3521
HAMPTON INN, MERIDIAN	875 S. Allen, Meridian	208-887-3600
HAMPTON INN, NAMPA	5750 Franklin Rd., Nampa	208-887-3600
RODEWAY INN	1115 N. Curtis Rd., Boise	208-376-2700

### COEUR D'ALENE AREA

COEUR D'ALENE INN	414 W Appleway, Coeur d'Alene	208-765-3200
SHILO INN	702 W Appleway, Coeur d'Alene	208-664-2300
TEMPLIN'S RESORT	414 E. First Ave, Post Falls	208-773-1611

### LEWISTON AREA

RED LION LEWISTON	621 21 <sup>st</sup> St., Lewiston	208-748-1000
-------------------	------------------------------------	--------------

### POCATELLO AREA

CALL POCATELLO CONVENTION AND VISITORS BUREAU		208-235-7659
---	--	--------------

### TWIN FALLS AREA

SHILO INN	1586 Blue Lakes Blvd., T.F.	208-733-7545
BURLEY INN	800 Overland Ave., Burley	208-678-3501

## Welcome

The Idaho High School Activities Association welcomes you to the 2006 State Volleyball Tournament. We appreciate your support of Idaho high school activities and hope the tournament will be an enjoyable, educational, and memorable experience for all players, coaches and fans. Good luck!

## Table Of Contents

### GENERAL INFORMATION

Admission - Public.....	4
Admission -Team Personnel .....	5
All-Tournament Teams .....	7
Awards .....	6
Crowd Control .....	5
District Play-Offs.....	7
Dressing Rooms .....	6
Hospitality Room.....	6
Host Hotels / Hotel Conduct .....	7
Lost and Found .....	6
Match Times .....	8
National Anthem.....	6
Number of Players .....	5
Official Rules.....	5
Official Volleyball .....	5
Pairings - 1A Pool Play.....	8
Pairings - 2A/1A .....	10
Parings - 5A/4A/3A .....	9
Parade of Athletes.....	6
Past State Champions.....	11
Pep Bands, Cheerleaders, Student Sections. ....	5
Practice Between Games.....	6
Pre-Tournament Meetings .....	4
Pre-Tournament Practice .....	5
Programs .....	6
Protests .....	6
Representation .....	4
Rosters and Team Pictures.....	6
Sites/Managers.....	4
Sportsmanship Rules.....	5
Training Room/Towels .....	6
T-Shirts/Souvenir Merchandise .....	6
Warm-up Between Matches.....	6

### MEDIA INFORMATION

Media Credentials/Admission.....	7
Broadcasting / Webcasting .....	7

### OFFICIALS

Assignment .....	7
Line Judges .....	7
Official Scorer.....	7

**Tournament Sites/Managers**

**5A**  
**Date:** October 27 - 28  
**Site:** Burley High School  
 2100 Park Ave.  
 Burley 83318  
**Mgr.:** Gary Hoxey, A.D.  
 Ph.: 878-6606

**4A**  
**Date:** October 27 - 28  
**Site:** Kimberly High School  
 141 Center St. West  
 Kimberly 83341  
**Mgr.:** George Arrossa, A.D.  
 Ph: 423-4170

**3A**  
**Date:** October 27 - 28  
**Site:** Wendell High School  
 750 E. Main  
 Wendell 83355  
**Mgr:** Jack Lancaster, A.D.  
**Ph:** 536-2100

**2A**  
**Date:** October 27 - 28  
**Site:** Buhl High School  
 #1 Indian Territory  
 Buhl 83316  
**Mgr.:** Tom Chivers, A.D.  
 Ph.: 543-8262

**1A**  
**Date:** October 26 - 28  
**Site:** Declo High School / Burley High School (Oct 26 only)  
 506 E. Main / 2100 Park Ave.  
 Declo 83323 / Burley 83318  
**Mgr.:** Jay Darrington, A.D. Declo Ph.: 654-2030  
 Gary Hoxey, A.D. Burley Ph.: 878-6606

**IHSAA Administrator:** John Billetz, Executive Director  
 Ph.: 375-7027

**Pre Tournament Meetings**

It is important that each participating school is represented at the pre-tournament meeting as important tournament details will be reviewed.

5A Meeting: Oct. 26 p.m., time/site TBA  
 4A Meeting: Oct. 26 p.m., time/site TBA  
 3A Meeting: Oct. 26 p.m., time/site TBA  
 2A Meeting: Oct. 26 p.m., time/site TBA  
 1A Meeting: Oct. 26 a.m., time/site TBA

**2006 Representation**

**5A**  
Dist.      Rep.  
 I-II          1.5  
 III            4.5  
 IV-V-VI      2

**4A**  
Dist.      Rep.  
 I-II          1  
 III            3  
 IV-V         2.5  
 VI            1.5

**3A**  
Dist.      Rep.  
 I-II          1.5  
 III            1.5  
 IV            2  
 V            1.5  
 VI            1.5

**2A**  
Dist.      Rep.  
 I-II          1  
 III            2  
 IV            1  
 V            2  
 VI            2

**1A**  
Dist.      Rep.  
 I            2  
 II            3  
 III          5  
 IV          4  
 VI          2

**Admission - Public**

Tournament Pass - General      \$20.00  
 Tournament Pass - Discount\*    \$10.00  
 General Admission                \$ 5.00  
 Discount Ticket\*                  \$ 4.00

\*Senior Citizens, students in grades 7-12 with an activity card and students in grades 1-6 may purchase discount tickets and passes. Children under 6 admitted free.

### **Admission - Team Personnel**

**Head Coaches and one assistant coach** of each school participating in the tournament will be issued a tournament pass. NOTE: The coach's regular IHSAA activity will then be restricted to ONE ADMISSION for each session. Only the cardholder's spouse will be admitted on the coach's IHSAA activity card if the coach has been issued a tournament pass.

**Twelve players (fifteen for 5A & 4A) and two managers** will also be issued tournament participant passes.

**Statisticians, bus drivers, "extra" cheerleaders, and "extra" band members** (see below) must purchase tickets unless the school administrator arranges for these people to be admitted by signing for them at the admission gate. The school will be invoiced for extra admissions after the tournament.

### **Number of Players**

5A & 4A participating school may have a maximum of fifteen players in uniform at the start of competition. 3A, 2A, 1A schools may have a maximum of twelve players in uniform at the start of competition. If more than the allowed number of players are in uniform at the start of competition, the match shall be forfeited. A maximum of 20 people per school (players, coaches, managers, statisticians and trainers) may be seated on the floor.

### **Pep Bands, Cheerleaders, Student Cheering Sections**

1. Seating - Pep bands and student cheering sections must use the assigned area.
2. Pep Bands - Forty-five-pep band members for each school will be admitted free. Schools may bring more band members, but will be billed for the difference after the tournament. A band director or school official must be present at the time the band is admitted. NOTE: Pep bands may play only during games in which their team participates. Pep bands may play before the match, at time outs, and between games. However, **PLAYING DURING A LIVE BALL IS PROHIBITED.** Each pep band is responsible for its own instruments. Facilities for storing instruments **ARE NOT AVAILABLE** at the tournament site. Please bring instruments **ONLY** to the game in which your team participates. Drums and other instruments are to be used only when the entire pep band plays.
3. Cheerleaders - Twelve cheerleaders in uniform for each school will be admitted free. Schools may bring more cheerleaders, but will be billed for the extra admissions after the tournament.
4. Student Cheering Section - Students must present their activity cards to be admitted for the student price. A special seating area will be reserved for cheering sections. NOTE: So that preparations can be made for seating, please let the tournament manager know a week in advance if your school's pep band or students will attend the tournament.

### **Crowd Control**

Each school is responsible for the conduct of its students and adult fans. IHSAA rules require schools to provide close supervision at all contests and asks for support and cooperation of administrators in enforcing the following rules:

1. No one other than authorized individuals will be allowed on the floor or in restricted areas.
2. Persons who enter the floor or restricted areas will be removed from the premises for the remainder of the tournament.

### **Sportsmanship Rules**

The following sportsmanship rules will be in effect at all IHSAA state play-offs and championship events:

1. Face Painting Full face painting is not permitted. Partial face painting is ok, i.e. small markings on cheeks, nose, forehead.
2. Posters/Banners/Signs All signs must display only positive support for one's own team.
3. Artificial Noisemakers Artificial noisemakers are prohibited.
4. Balloons Balloons are not permitted at any IHSAA state play off or championship event.
5. Attire Bare chests are not permitted. Shirts must be worn.
6. Inappropriate Behavior The following are not permitted:
  - a. Throwing objects onto (or entering) the playing area before, during or after a contest.
  - b. Verbal harassment or derogatory remarks directed toward an opponent or official.

### **Official Volleyball**

Official Ball: 18-panel leather volleyball.

### **Official Rules**

National Federation rules for rally scoring will be used for all Idaho volleyball games. With 3 out of 5, Game 15 (the "if" game) will be 2 out of 3. Scoring will be 25 with a 30-point cap. The third game will be 15 with no cap.

### **Pre-Tournament Practice**

Each team will be allowed to practice once at a state tournament site during the week prior to the state tournament, providing arrangements can be made. Practice balls will be provided at the tournament sites. Contact your tournament manager for available practice times.

### **Warm-up Between Matches**

Each tournament site has an area designated for team stretching prior to the start of the pre-match warm-up period. **Teams will not be allowed on the playing court until the clock is started for pre-match warm-ups.**

There will be a **maximum** of twenty minutes for pre-match warm-up between matches. The timer should start the clock when the referee starts the pre-match conference with the captains from the respective teams. The time schedule for the pre-match warm-up shall consist of the following 2-5-5-3:

- a. Two minutes: Coin flip to determine the serving and receiving teams.
- b. First 5 minutes: Serving team practices on the full court. Receiving team may practice ball handling outside the playing court.
- c. Next 5 minutes: Receiving team practices on the full court. Serving team may practice ball handling outside the playing court.
- d. Last 3 minutes: Both teams on the court practice serving over the net and receiving.

The warm-up period may be limited to 2-4-4-2 at the discretion of the tournament manager due to schedule requirements. If this becomes necessary, the periods shall consist of:

- a. First 2 minutes: Coin flip to determine serving and receiving teams.
- b. First 4 minutes: Serving team practices on the full court. Receiving team may practice ball handling outside the playing court.
- c. Next 4 minutes: Receiving team practices on the full court. Serving team may practice ball handling outside the playing court.
- d. Last 2 minutes: Both teams on the court practice serving and receiving over the net.

### **Practice Between Games**

Teams are prohibited from using the net for practice between games. The ball cannot cross the net.

### **Protests**

The IHSAA Board of Directors does not recognize protests of sports officials' decisions. Correction of errors is handled in accordance with NFHS rules.

### **Dressing Rooms**

Dressing rooms will be assigned daily, but due to limited space, teams are encouraged to dress in their hotel rooms. Arrangements can be made to lock up valuables. Towels will not be furnished and teams should bring their own towels for use at the bench. Teams are responsible to pick up litter from the floor of the locker room. Facilities are not available for drying or storage.

### **Training Room / Towels**

Training room facilities and a trainer will be available for special assistance or in case of an emergency. However, schools should plan to furnish their own tape and supplies. Towels will not be provided at the tournament. Teams s

### **Awards**

Trophies will be awarded to first, second, third, and fourth place teams. Medals will be awarded to members of the Champion and Runner-up teams. The presentation of awards will be as follows: Fourth place and third place trophies will be awarded at the conclusion of those matches. Second place and championship trophies will be presented at the conclusion of the championship game.

### **National Anthem**

The National Anthem will be played Friday morning prior to match 1 and on Saturday morning prior to match 9.

### **Parade of Athletes**

A parade of athletes is no longer held at state volleyball.

### **Programs**

The composition, printing and selling of programs is the responsibility of the IHSAA. Each team will receive two complimentary souvenir programs.

### **Rosters and Team Pictures**

**Team rosters** and regular season scores may be submitted via our on-line, interactive form at [idhsaa.org](http://idhsaa.org). Send **pictures** as an attachment to an e-mail message as a high quality TIFF or JPG image to [cherylm@idhsaa.org](mailto:cherylm@idhsaa.org). Do not submit hard copies of rosters or scores. All materials must be received by 4:00 P.M., October 11 to insure placement in the program.

### **T-Shirts / Souvenir Merchandise**

State tournament t-shirts and other souvenir merchandise will be sold at all tournament sites by McU Sports.

### **Hospitality Room**

A room will be available for coaches and officials. However, refreshments will not be provided.

### **Lost and Found**

The lost and found will be located at the tournament manager's office.

**Host Hotels / Hotel Conduct**

See the inside front cover for the hotels designated as host hotels for the state volleyball tournament. We encourage all schools to take advantage of their special rates. **Conduct:** Each year a few athletes create a bad image for the rest by their uncontrolled behavior in hotels. Coaches should check rooms closely upon arrival and at departure and ensure their athletes are properly supervised.

**All-Tournament Teams**

The IHSAA is philosophically opposed to all-tournament team selections. It is the right of the Media to conduct polls and establish rankings. However the IHSAA will not participate in such selections nor announce them at the tournament.

**MEDIA INFORMATION**

**Media Credentials**

Members of the media should use their own media credentials for admission at each tournament site. For those who do not have such credentials, media passes will be issued upon request to the IHSAA or the tournament manager.

**Broadcasting/Web casting**

State play-offs or tournament matches shall not be filmed, videotaped or web cast without the written consent of the IHSAA. (Exception: Schools may film or videotape their **own** games for private use.)

**OFFICIALS**

**Assignment**

All officials will be provided and assigned by the IHSAA. Each district will have an opportunity to provide an official for each state tournament.

**Line Judges**

Certified volleyball officials from the host district will be used as line judges whenever possible.

**Official Scorer**

Official scorers will be provided by the tournament management. The IHSAA will provide official scorebooks, line-up sheets, and team roster sheets.

**District Play-offs**

**5A Play-off**

1-2B  
3E

Site: Grangeville High School  
Time: 2:30 p.m., Pacific Time  
Date: Sat., Oct. 21, 2006

**3A Play-offs**

1-2B  
3B

Site: Grangeville High School  
Time: 12:30 p.m., Pacific Time  
Date: Sat., Oct. 21, 2006

**4A Play-off**

4-5C  
6B

Site: Highland High School, Pocatello  
Time: 3:00 p.m.  
Date: Sat., Oct. 21, 2006

5B  
6B

Site: Highland High School, Pocatello  
Time: 5:00 p.m.  
Date: Sat., Oct. 21, 2006

**2A: No Play-off**

**Match Times / Pairings**

**1A Pool Play - Thursday, Oct. 26**

Match 1	11:00 a.m.	Match 4	3:30 p.m.
Match 2	12:30 p.m.	Match 5	6:00 p.m.
Match 3	2:00 p.m.	Match 6	7:30 p.m.

**Rally scoring: best 2 of 3 will be used for Thursday's pool play**

**Declo High School**

Net 1 Pool A	Net 2 Pool B
1A 2B	2A 4D
4B 3C	3B 5-6B
1A 3C	4D 3B
4B 2B	2A 5-6B
1A 4B	3B 2A
3C 2B	5-6B 4D

**Burley High School**

Net 1 Pool C	Net 2 Pool D
4A 5-6A	3A 1B
2C 3D	4C 3E
4A 2C	3A 4C
5-6A 3D	1B 3E
4A 3D	4C 1B
5-6A 2C	3A 3E

**Tiebreaker: matches won/lost; games won/lost; points for/against; coin toss**

**Time Schedules - Friday, Saturday**

**Friday, October 27: All classifications**

<u>Session 1</u>		<u>Session 2</u>	
Match 1	8:30 a.m.	Match 5	3:30 p.m.
Match 2	10:00 a.m.	Match 6	5:15 p.m.
Match 3	11:30 a.m.	Match 7	6:45 p.m.
Match 4	1:00 p.m.	Match 8	8:15 p.m.

**Saturday, October 28 : 5A/4A/3A/2A**

<u>Session 3</u>		<u>Session 4</u>	
Match 9	9:00 a.m.	Match 13	4:00 p.m.
Match 10	10:30 a.m.	Match 14	5:30 p.m.
Match 11	12:00 p.m.	Match 15	7:00 p.m.*
Match 12	1:30 p.m.		*(if necessary)

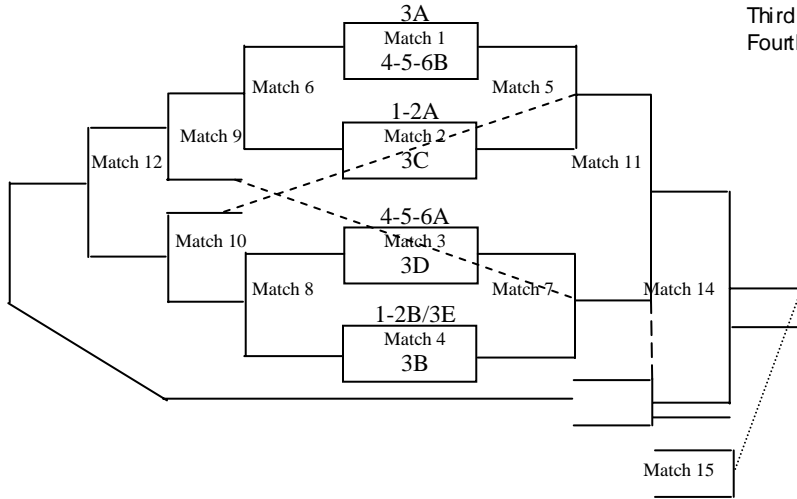
**Saturday, October 28: 1A**

<u>Session 3</u>		<u>Session 4</u>	
Match 9	9:00 a.m.	Match 13	4:00 p.m.
Match 10	10:30 a.m.	Match 14	5:30 p.m.
Match 11	12:00 p.m.	Match 15	7:00 p.m.*
Match 12	1:30 p.m.		*(if necessary)



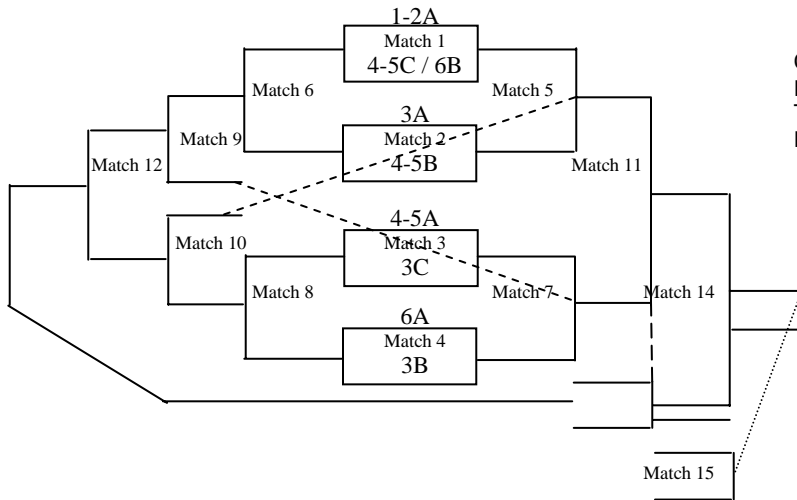
**Tournament Brackets**

**5A — Burley High School**



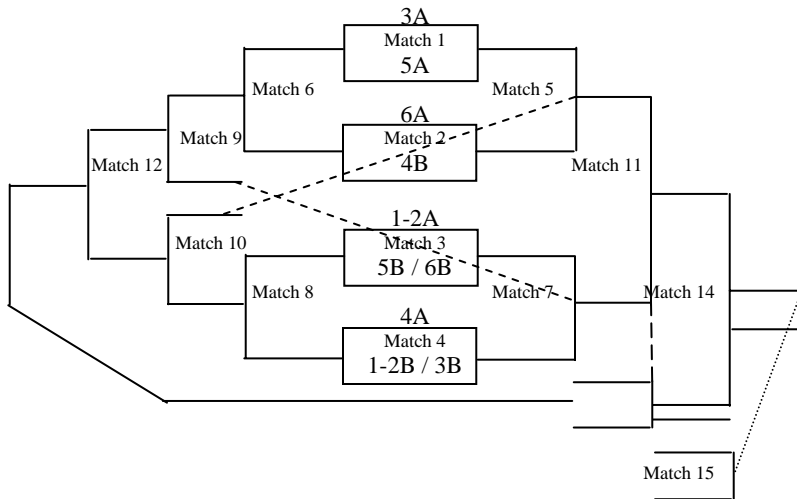
Champion - Winner of match 14 or 15  
 Runner-up - Loser of match 14 or 15  
 Third place - Loser of match 13  
 Fourth place - Loser of match 12

**4A — Kimberly High School**



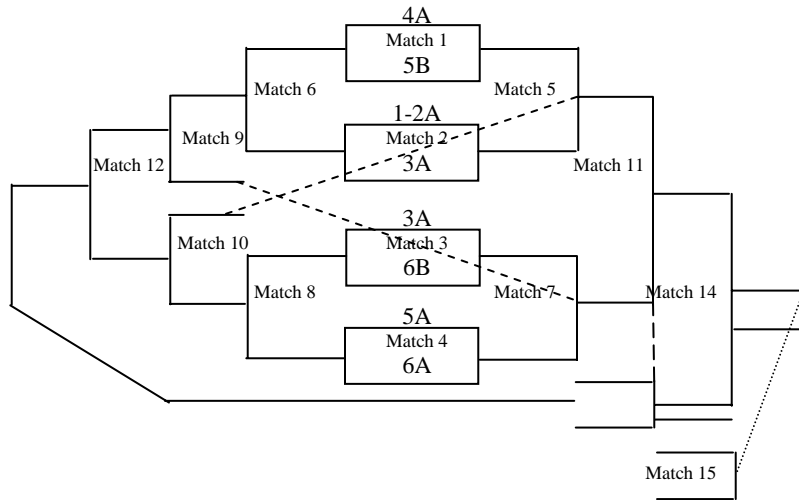
Champion - Winner of match 14 or 15  
 Runner-up - Loser of match 14 or 15  
 Third place - Loser of match 13  
 Fourth place - Loser of match 12

**3A — Wendell High School**



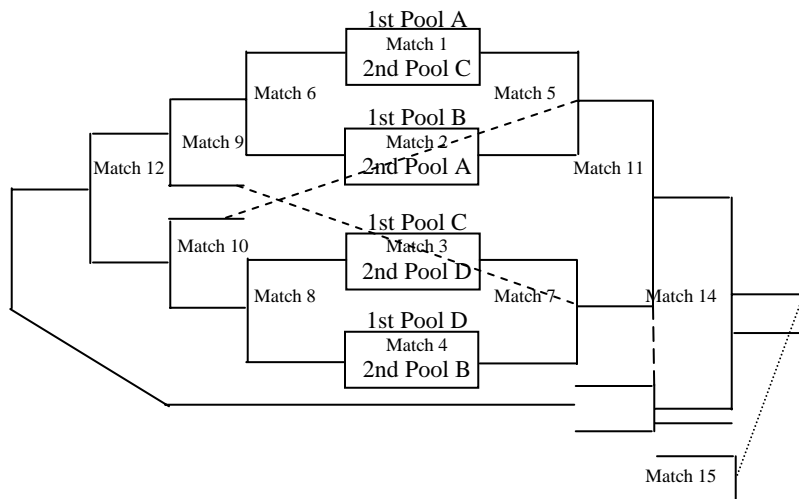
Champion - Winner of match 14 or 15  
 Runner-up - Loser of match 14 or 15  
 Third place - Loser of match 13  
 Fourth place - Loser of match 12

## 2A — Buhl High School



Champion - Winner of match 14 or 15  
 Runner-up - Loser of match 14 or 15  
 Third place - Loser of match 13  
 Fourth place - Loser of match 12

## 1A — Declo High School (Friday, Saturday)



Champion - Winner of match 14 or 15  
 Runner-up - Loser of match 14 or 15  
 Third place - Loser of match 13  
 Fourth place - Loser of match 12

